

FT50 Folding Truss

Folding Truss with a trapezium geometric for extreme loads

Folding Truss with extreme load capacity

FT50 FOLDING TRUSS

Saving space – unique fold flat capacity

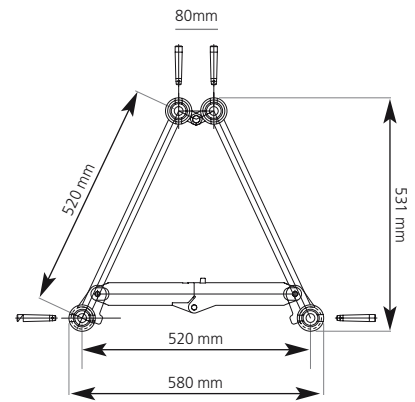
The FT50 Folding Truss is the perfect solution for touring events.

In large rig structures fixed (non-foldable) corners are available.

Used extensively for heavy loading and easily compatible with 40-er (2t) Ground Support Towers.

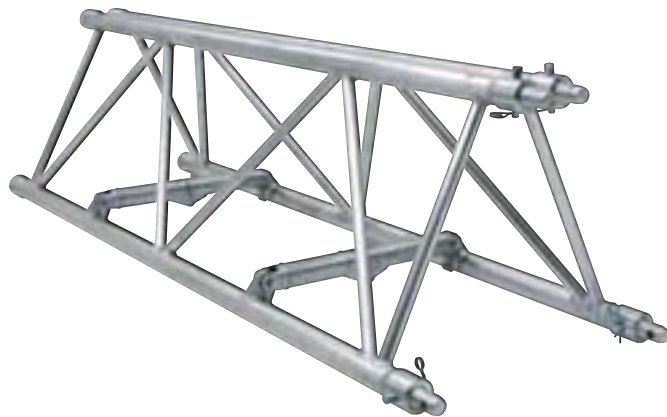
Made with the fast connection system and approved according the DIN 4113 specifications by the TUV.

Dimensions FT50



FT50-TRUSS FACTS

- Tolerance free conical connector
- High stability aluminium alloy
- Excellent load bearing capacity
- Low dead weight
- High wear resistance
- Saving stock and trucking space
- TuV approved
- 4mm Wall thickness of 50mm main tube



Measurements FT50 Truss

Main tube:	50x 4mm
Braces:	25x 3mm
Material:	EN AW-6082 T6
Connection:	CS3-CON
Weight:	~13,5 kg/m

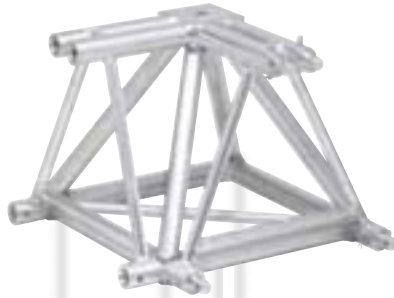
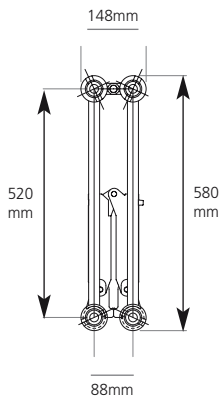
Loadcases FT50

Length (m)	8	10	12	14	16	18	20	24
CPL in kg	1850	1450	1200	1005	855	735	640	470
Deflection (mm)	22	35	48	70	86	118	137	214
UDL in kg/m	465	293	198	143	107	82	63	41
Deflection (mm)	28	44	59	86	113	144	176	261

FT50 Folding Truss

Folding Truss with a trapezium geometric for extreme loads

Dimensions FT50 – Folded Position



FT50-SYSTEM CORNER

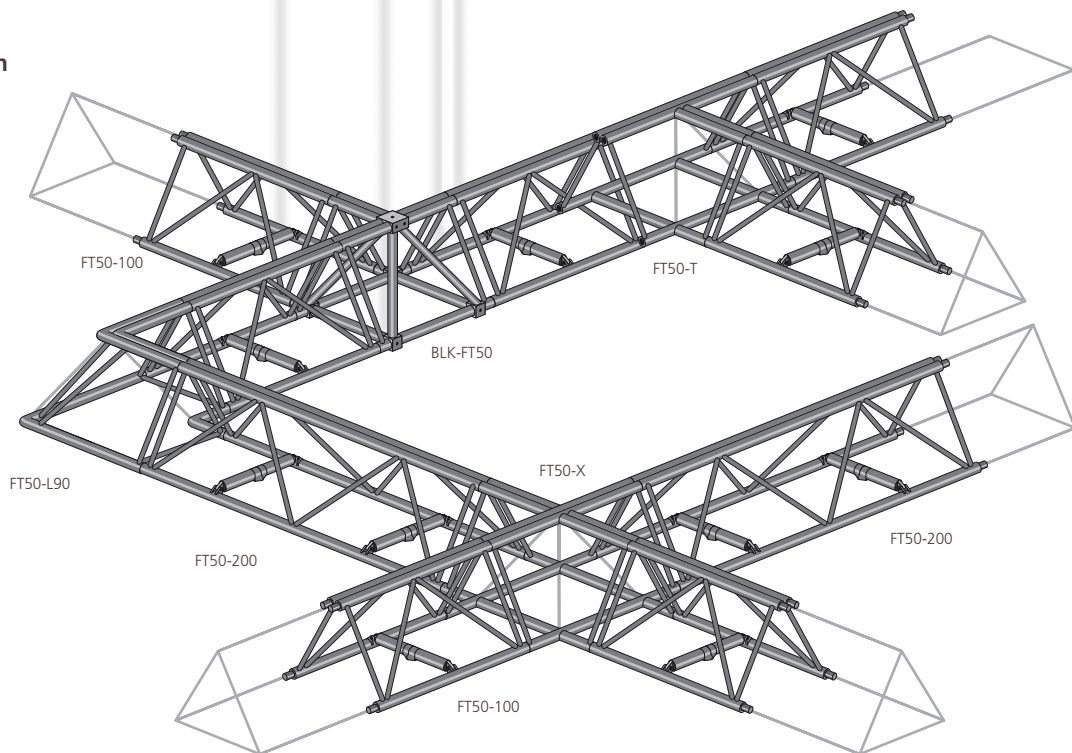
The FT50 structures on one level allow various structural shapes by using the special designed FT50 corner block as well as using standard corners and tees.

The FT50 corner block is made according to the strength requirements and optimum size to use the corner block in combination with Tower Sleeve Blocks. The FT50 Corner Blocks have standard FT50 Adapter Block.

Next to the corner block, standard fixed FT50 Corners and Tees are available.

Complementary accessories and the article codes of the FT50 System can be found at the page 161.

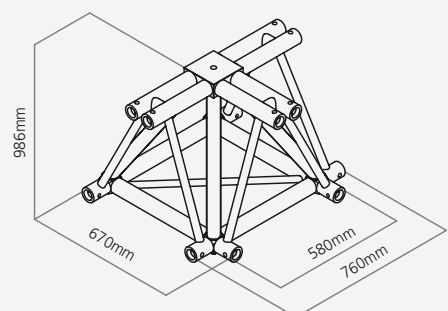
One level construction



Measurement Corners for FT50-System

Cornercode	Size in cm
FT50-L90	78,5 x 78,5
FT50-T	100 x 78,5
FT50-X	100 x 100
BLK-FT50	90° in 4 dir.

Attachment	Size in cm
BLK-A-FT50	FT50 Adapter for Cornerblock



TT
XT
FT100
ST
FT50
XD