

# HD32 / FD32 Ladder truss

Ladder truss for medium loads

Ladder truss for vertical and horizontal rigs

## HD32 / FD32 LADDER TRUSS

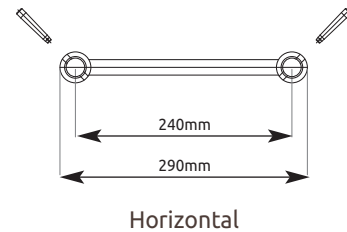
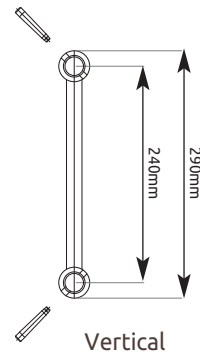
HD32 / FD32 guarantees optimum load bearing capacity up to spans of 8m

HD32/ FD32 straight elements lend themselves to use as span exposed to bending stress, cantilevered up to 4m or supported up to 8m.

Combined with HD34 / FD34 Truss they possess a broad range of applications.

Made with the fast connection system and approved according the DIN EN 1999-1-1 & 1999 -1-1/A2 within Eurocode 9 specifications.

Dimensions  
HD32 / FD32



### HD32 TRUSS

### FACTS

- Increased wall thickness of 3mm for 50mm main tubes
- Increased loading compared to FD32 (up to 50%)
- Compatible with HD34

### FD32 TRUSS

### FACTS

- Tolerance free conical connector
- Wall thickness of 2mm for 50mm main tubes
- Compatible with FD34
- Also available in any non-standard length and shape
- TuV approved

#### Measurements

	HD32	FD32
Main tube:	50x 3mm	50x 2mm
Braces:	20x 2mm	20x 2mm
Material:	EN AW-6082 T6	
Connection:	CS1-CON	
Weight:	~4 kg/m	~3 kg/m

#### Loadcases HD32

Span*	UDL		CPL		1/3 Point Load		1/4 Point Load		1/5 Point Load	
	kg/m	mm**	kg	mm	kg (2x)	mm	kg (3x)	mm	kg (4x)	mm
2	569	1	854	2	569	2	380	2	285	2
4	283	10	831	12	481	12	373	13	277	12
6	187	35	560	28	416	35	280	33	233	35
8	103	62	414	50	310	63	207	59	172	62
9	81	78	365	63	273	80	182	74	152	79
10	65	97	325	78	244	99	162	92	135	97

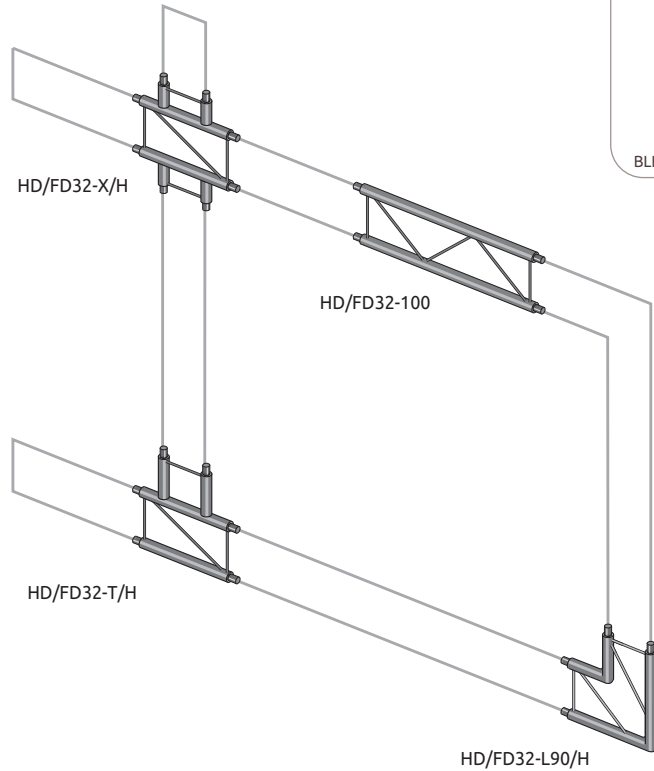
\* in mtr \*\* mm is the deflection of the truss at the given load

HD/FD44  
HD/FD43  
HD/FD42  
HD/FD34  
HD/FD33  
HD/FD32  
HD/FD31

# HD32 / FD32 Ladder truss

Ladder truss for medium loads

## Horizontal construction



## HD32 / FD32 CORNER

The HD32 / FD32 series allow a wide variety of structural shapes in one level by using corners, cross-pieces and tees.

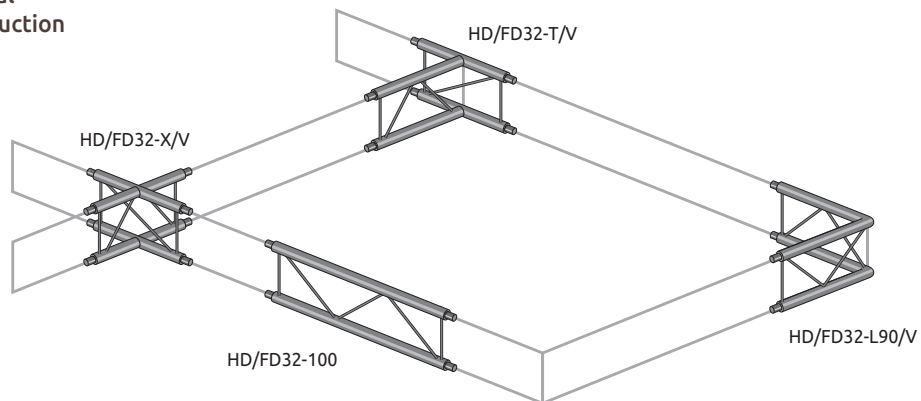
Optically and statically adapted to fit the straight elements.

HD32 / FD32 System is suitable for using horizontally and vertically. The load capacity is identical.

Measurement Corners for HD32 / FD32

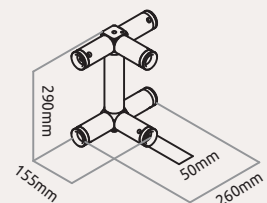
Cornercode	Size in cm
HD/FD32-L45/V (H)	100 x 100
HD/FD32-L60/V (H)	100 x 100
HD/FD32-L90/V (H)	50 x 50
HD/FD32-L120/V (H)	50 x 50
HD/FD32-L135/V (H)	50 x 50
HD/FD32-T/V (H)	50 x 50
HD/FD32-X/V (H)	50 x 50
BLK-32	90° in 4 dir.
CS1-BOB105	105mm*
CS1-BOBA210	210mm*

## Vertical construction



## Loadcases FD32

Span*	UDL		CPL		1/3 Point Load		1/4 Point Load		1/5 Point Load	
	kg/m	mm**	kg	mm	kg (2x)	mm	kg (3x)	mm	kg (4x)	mm
2	570	2	855	2	570	3	380	2	285	2
4	284	15	565	12	368	13	286	15	236	15
6	127	35	380	28	282	35	190	33	158	35
8	70	62	280	50	210	63	140	59	117	62
9	55	78	247	64	185	80	123	74	103	79
10	44	97	219	79	164	99	110	92	91	97



\*2 pcs. required for one attachment

HD/FD44  
HD/FD43  
HD/FD42  
HD/FD34  
HD/FD33  
HD/FD32  
HD/FD31