



Stair and Stage Handrails (incl 2 connectors)

Aluminum handrails can be used with PRO DECK 200x100CM. They are very durable at the same time very light. The additional bar is an protect against sliding for example flight cases. The handrails are available in the following sizes: 2m, 1m and 0,5m and connected by universal clamp (connector).

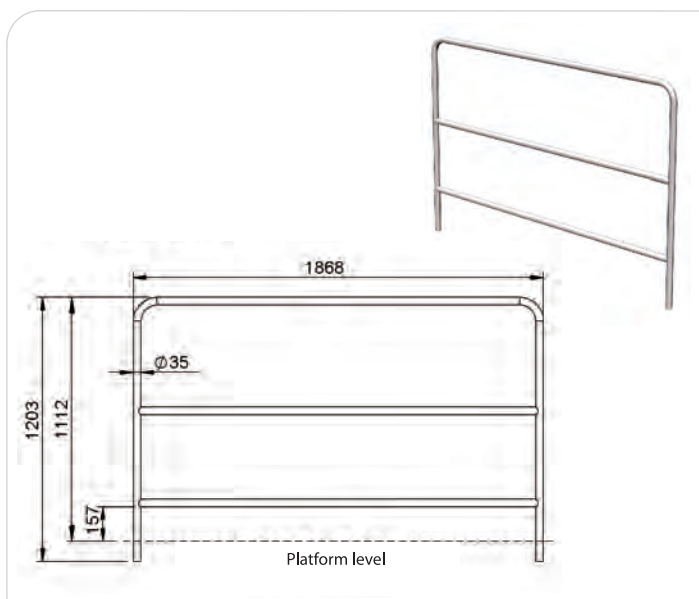


HAND RAILING 200cm incl connectors

Product code **ED-SHR-SBA-5**

Technical data

material	aluminium Ø35x2,0mm
finish	raw surface
weight	4,68 kg

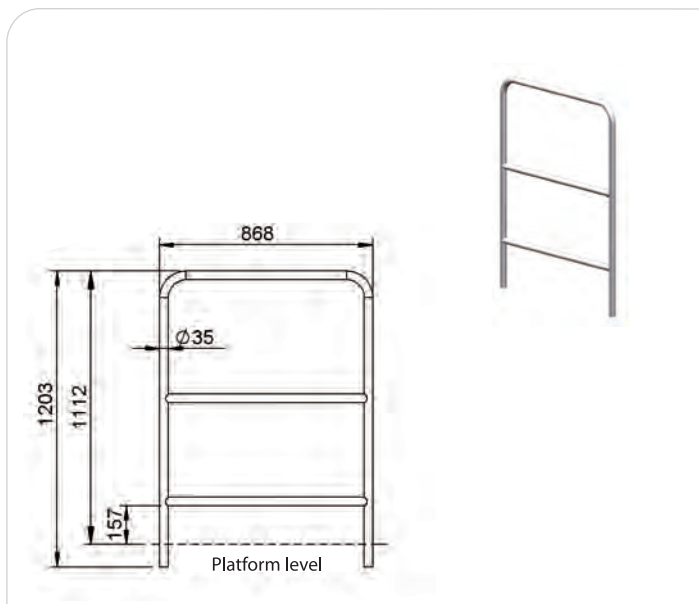


HAND RAILING 100cm incl connectors

Product code **ED-SHR-SBA-6**

Technical data

material	aluminium Ø35x2,0mm
finish	raw surface
feight	2,83 kg



Handrail for SCA-01 and SCA-03

Steel handrails with glass can be used with PRO DECK. Perfect for viewing stations for the disabled people, the VIP boxes, shopping malls and trade fair construction.



HAND RAILING 200cm with Plexiglass incl connectors

Product code **ED-SHR-SBP-5**

Technical data

material	laminated glass and black or stainless steel
finish	zinc plated or powder coated steel
weight	17,7 kg



HAND RAILING 100cm with Plexiglass incl connectors

Product code **ED-SHR-SBP-6**

Technical data

material	laminated glass and black or stainless steel
finish	zinc plated or powder coated steel
weight	8,53 kg

