

XT Rectangular Truss

Pre Rig Truss for huge loads and long spans

The ultimate Pre Rig Truss for spans up to 30m

XT RECTANGULAR TRUSS

The XT Truss lends itself to use as bending resistant spans at a free span of 30m with extreme load bearing capacity.

Due to its special shape and dimensions the XT Truss exhibits a great rigidity and can thus be used for long spans with high loadings. The 50x4mm tube reduces transportation damage and guarantees extreme durability.

Trussing with a big profile geometry have long braces which have a risk of bending. Therefore it is necessary to use bracing

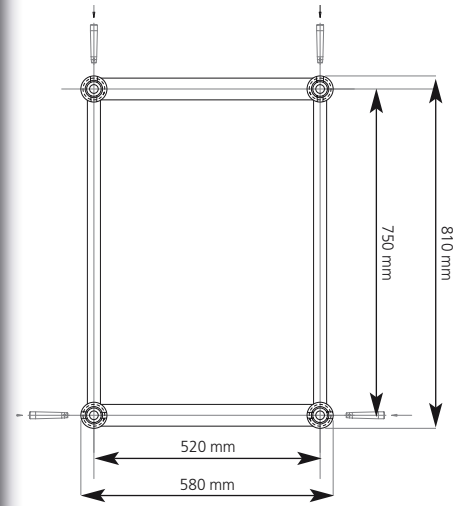
with a bigger diameter. This causes other problems which needs to be considered.

The Eurotruss solution is to weld a plate at the main tube in order to get the right position of the braces and solve the high tension caused by too much heat.

This way of constructing is not new as in large steel structures this is a common way to construct.

Made with the fast connection system and approved according the DIN 4113 specifications by the TUV.

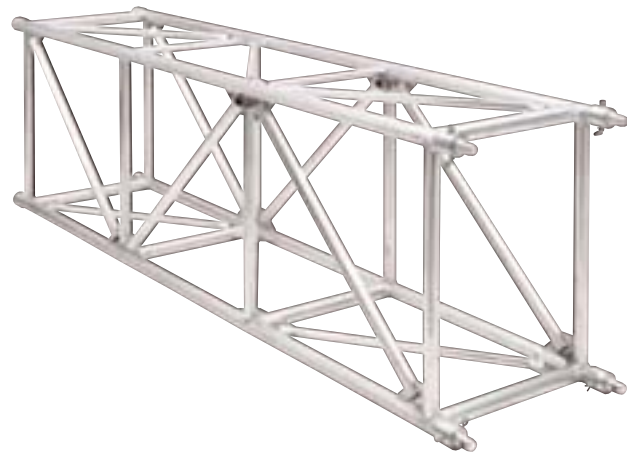
Dimensions XT



XT-TRUSS

FACTS

- Tolerance free conical connector
- High stability aluminium alloy
- Excellent load bearing capacity
- Low dead weight
- High wear resistance
- TuV approved
- 4mm Wall thickness of 50mm main tube



Measurements XT

Main tube:	50x 4mm
Braces:	50x / 40x / 30x 3mm
Material:	EN AW-6082 T6
Connection:	CS3-CON
Weight:	~20 kg/m

Loadcases XT

Length (m)	12	16	20	22	24	26	28	30
CPL in kg	2234	1604	1210	1061	934	823	725	637
Deflection (mm)	37	66	105	128	154	182	213	247
UDL in kg/mtr	349	201	121	96	78	63	52	42
Deflection (mm)	43	81	127	153	182	214	248	285

XT Rectangular Truss

XT Corner Block allows various shapes

XT-SYSTEM CORNER

The XT structures on one level allows various structural shapes by using the XT Corner Block.

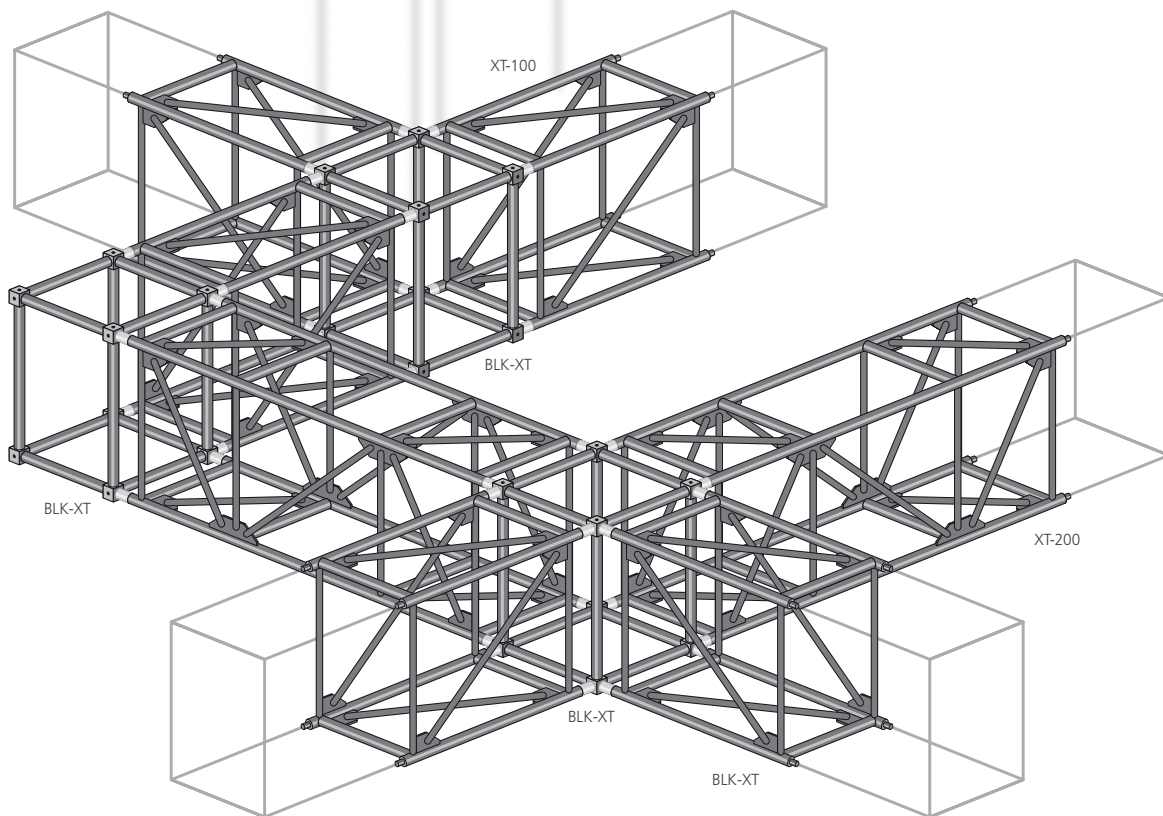
The XT corner block is made according to the strength requirements and optimum size to use the corner block also as sleeve blocks in XT Roofs Ground-supports.

The XT corner blocks have a standard bold on receiver attachment of a length of 85mm.

Complementary accessories and the article codes of the XT System can be found at the page 160.



One level construction

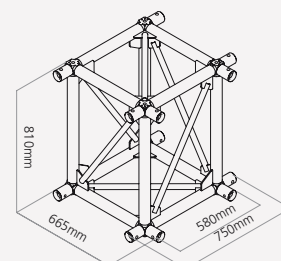


Measurement Corners for XT-System

Corner	Size in cm
2-Way BLK-XT	66,5 x 66,5
3-Way BLK-XT	75 x 66,5
4-Way BLK-XT	75 x 75
BLK-XT	90° in 4 dir.

Receiver	Size in cm
CS3-BOB85	85mm *

*4 pcs. required for one attachment



TT
XT
FT100
ST
FT50
XD