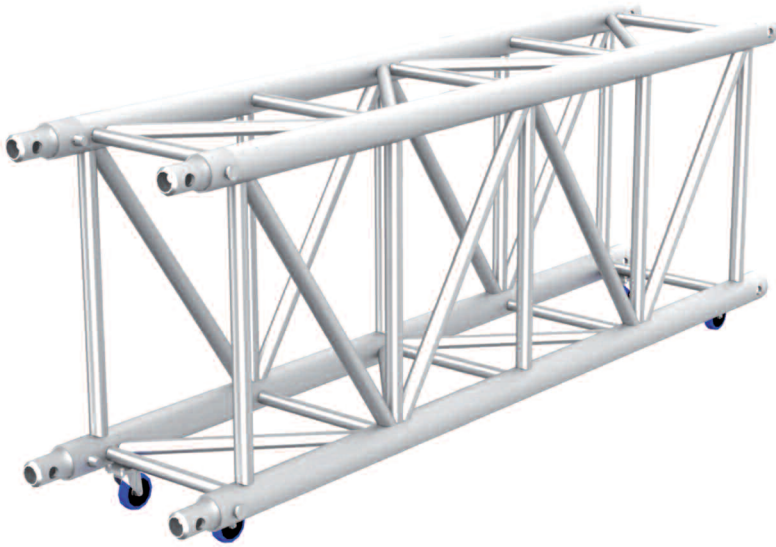


MT Rectangular Truss

Pre Rig Truss for gigantic loads and long spans



- 5mm (0,2in) wall thickness of 120mm (4,72in) main tube
- Tolerance free conical connector
- High stability aluminium alloy
- Excellent load bearing capacity
- Low dead weight
- High wear resistance
- TuV approved

The ultimate Pre Rig Truss for spans up to 60m / 196,85ft

The MT Truss lends itself to use as bedding resistant spans at a free span of 60m (196,85ft) with gigantic load bearing capacity. On a free span of 28m (91,84ft) the MT has the impressive result of 7.224kg (15.888lbs).

Due to its special design and shape the MT Truss exhibits an enormous rigidity and can thus be used for very long spans with high loadings.

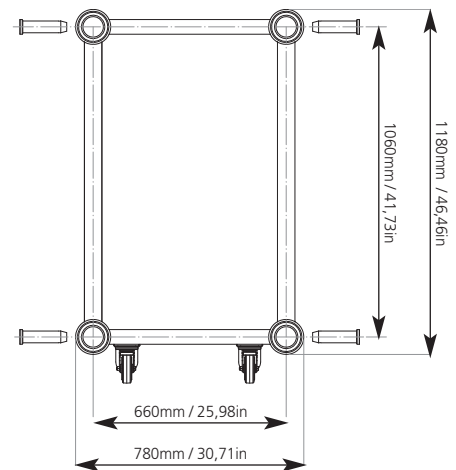
The 120x5mm (4,72 x 0,2in) guarantees extreme durability and reduction of users damage.

The MT is a real Monster Pre Rig Truss and a rigger's delight. Trussing of this size need well designed balance of alloy, dimensions and welding procedure. The long braces are made of 60mm (2,36in) as a bigger diameter is necessary to avoid the risk of bending.

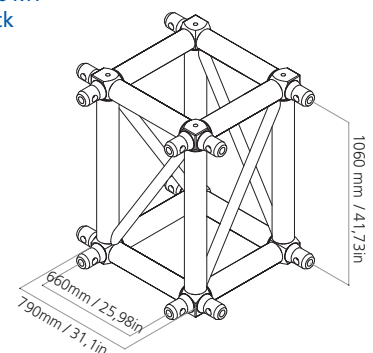
Eurotruss uses only braces cut by laser to receive a punctual fitting on the main tube avoiding too much welding, heat which weakens the truss.

Under strict tested welding procedure the MT Truss is made with superb fast connection system and approved according the DIN 4113 specifications by the TuV.

Dimensions MT



Dimensions MT Cornerblock



Measurements MT

| | Size in cm | Size in inch |
|-------------|---------------|----------------------|
| Main tube: | 120x 5mm | 4,72 x 0,2in |
| Braces: | 60 (50) x 4mm | 2,36 (1,97) x 0,16in |
| Material: | EN AW-6082 T6 | EN AW-6082 T6 |
| Connection: | CS4-CON | CS4-CON |
| Weight: | ~60 kg/m | ~40 lbs/ft |

Measurement Corners for MT-System

| Corner | Size in cm | Size in feet |
|-----------------|----------------------------------|---------------------|
| 2-Way BLK-TT | 78,5 x 78,5cm | 2,58 x 2,58ft |
| 3-Way BLK-TT | 79 x 78,5cm | 2,59 x 2,58ft |
| 4-Way BLK-TT | 79 x 79cm | 2,59 x 2,59ft |
| BLK-MT | 90° in 4 dir. | 90° in 4 dir. |
| Receiver | Size in cm | Size in feet |
| CS4-SCON | Bold on Screw ½ Connector for MT | |

*4 pcs. required for one attachment

MT Rectangular Truss

MT Corner Block allows various shapes

MT Construction

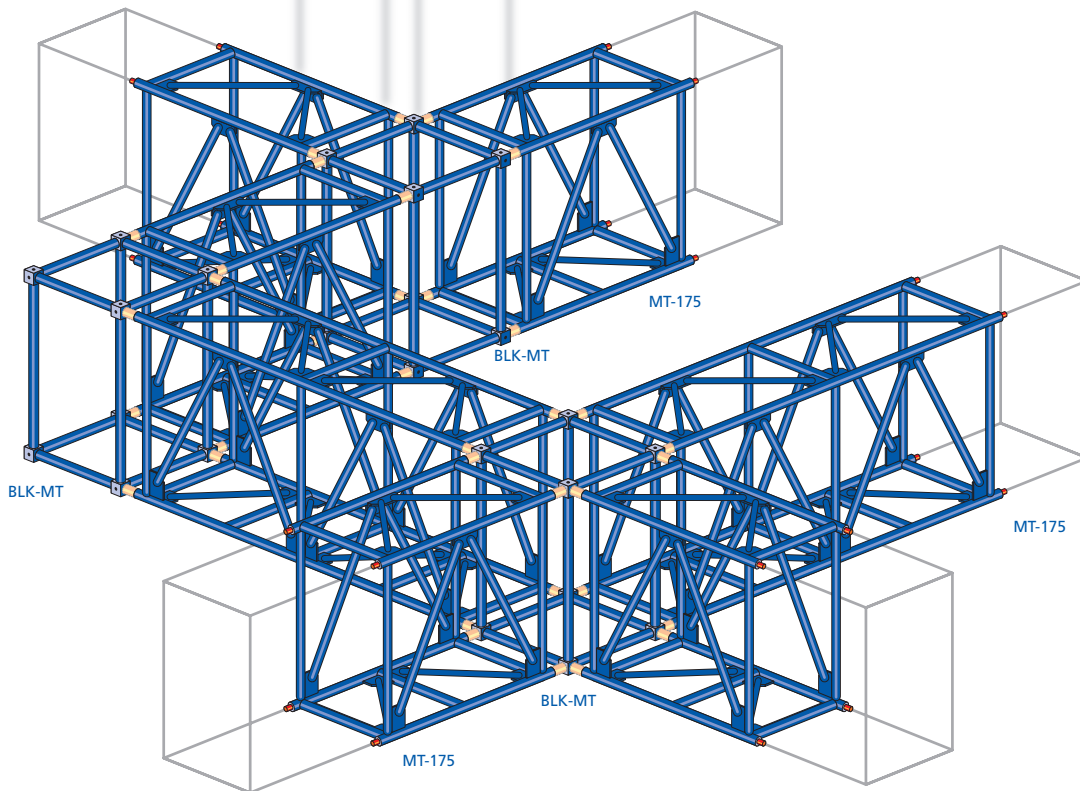
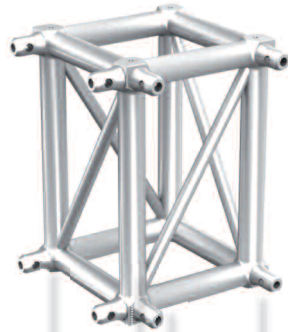
The ultimate Pre Rig Truss for spans up to 60m / 196,85ft

The MT System structures on one level allows various structural shapes by using the MT Corner Block.

The MT Corner Block is made according to the strength requirements and optimum size to use the Blocks in same configuration as the Sleeve Blocks on the TD50 Tower in Ground Supports or Roof Systems.

The MT Corner Block has a standard bold on screw 1/2 connector.

One level construction



Loadcases MT

| Unit | | EU | US | EU | US | EU | US | EU | US | EU | US | EU | US | EU | US |
|------------|-----------------|------|-------|------|-------|------|-------|------|-------|------|--------|------|--------|------|-------|
| Length | m ft | 16 | 52,48 | 20 | 65,6 | 24 | 78,72 | 28 | 91,84 | 32 | 104,96 | 36 | 118,08 | 40 | 131,2 |
| CPL | kg lbs | 7370 | 16214 | 5620 | 12364 | 4453 | 9797 | 3584 | 7885 | 2901 | 6382 | 2342 | 5152 | 1869 | 4112 |
| Deflection | mm inch | 46 | 1,84 | 73 | 2,92 | 107 | 4,28 | 147 | 5,88 | 195 | 7,8 | 250 | 10 | 315 | 12,6 |
| UDL: | kg/mtr lbs/ft | 913 | 614 | 562 | 378 | 371 | 249 | 258 | 173 | 181 | 122 | 130 | 87 | 93 | 62 |
| Deflection | mm inch | 53 | 2,12 | 80 | 3,2 | 110 | 4,4 | 141 | 5,64 | 170 | 6,8 | 195 | 7,8 | 214 | 8,56 |