

FT100 Folding Truss

Folding Truss with a trapezium geometric for extreme loads

The ultimate Pre Rig Truss for spans up to 44m

FT100 FOLDING TRUSS

The FT100 Truss lends itself to use as bending resistant spans at a free span of 44m with an extreme load bearing capacity of 1232 kg UDL.

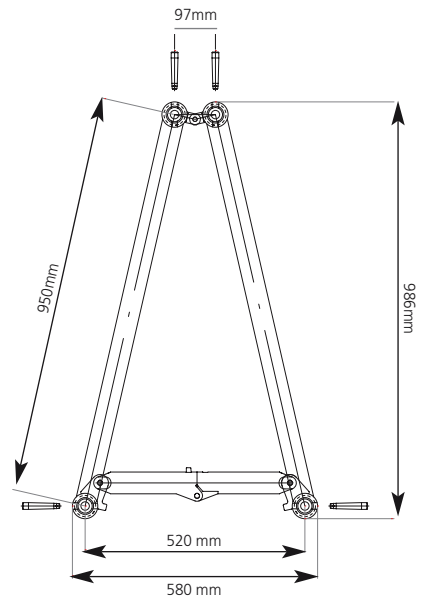
The FT100 Truss has impressive results due to its special shape and dimensions. The FT100 reduces storage and transportation space and in a folded position an FT 100 has only a height of 16cm. The 60x5mm tube reduces transportation da-

mage and guarantees extreme durability.

In the range of the FT100 Truss a clever and strong 4-way corner block is available. Also a FT100 sleeve adapter plate makes it possible to be used on standard TD50, TD44 Tower with TT Sleeve Block.

Made with the fast connection system and approved according to the DIN 4113 specifications by the TUV.

Dimensions FT100



FT100-TRUSS FACTS

- Tolerance free conical connector
- High stability aluminium alloy
- Excellent load bearing capacity
- Low dead weight
- High wear resistance
- Saving stock and trucking space
- TuV approved
- 5mm Wall thickness of 60mm main tube

Measurements FT100

Main tube:	60x 5mm
Braces:	50x 3mm
Material:	EN AW-6082 T6
Connection:	CS3-CON
Weight:	~22 kg/m

Loadcases FT100

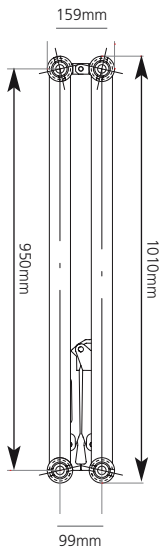
Length (m)	12	16	20	24	28	32	40	44
CPL in kg	3960	2890	2229	1774	1435	1170	771	613
Deflection (mm)	28	50	79	115	159	210	338	417
UDL in kg/mtr	563	361	223	148	103	73	39	28
Deflection (mm)	30	62	97	139	190	248	387	468

TT
XT
FT100
ST
FT50
XD

FT100 Folding Truss

Corner piece with fixed dimensions

Dimensions FT100 – Folded Position



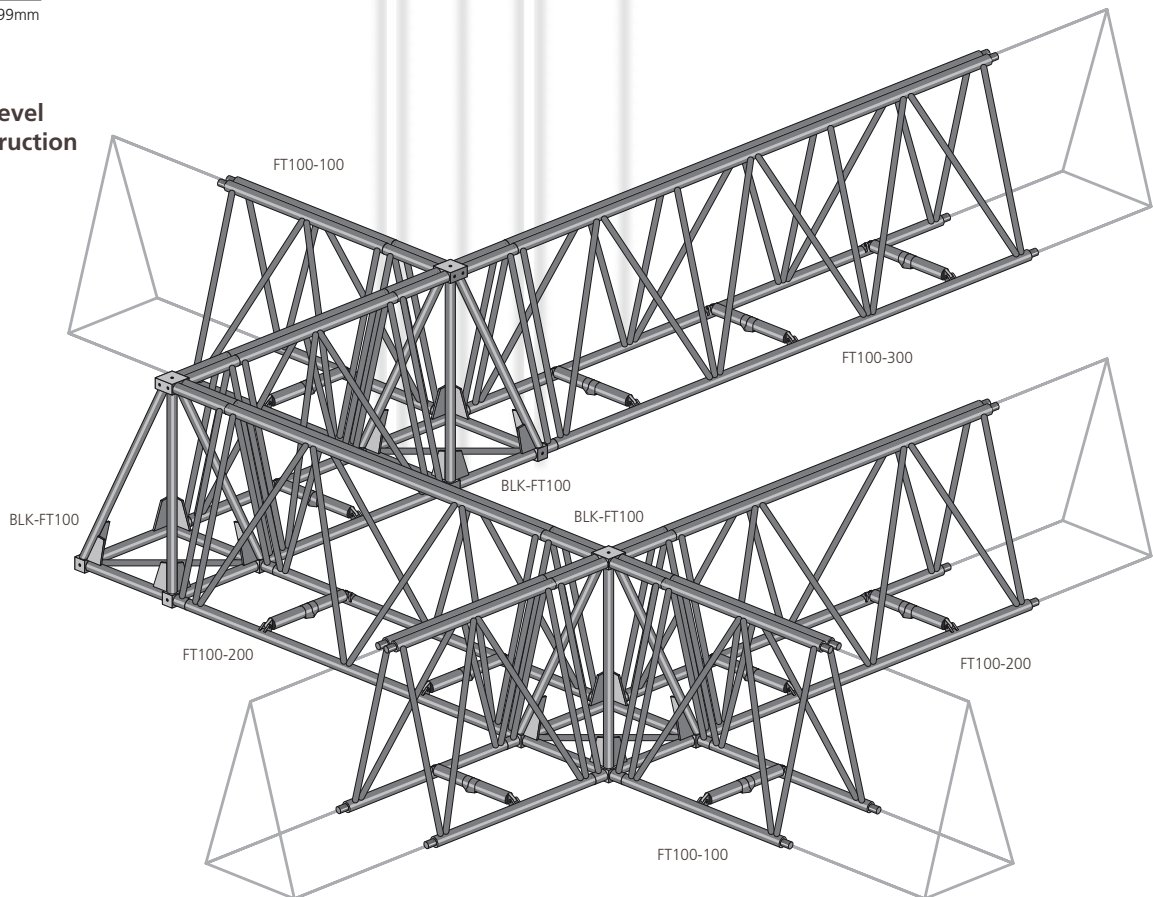
FT100-SYSTEM CORNER

The FT100 structures on one level allow various structural shapes by using the special designed FT100 corner block.

The FT100 corner block is made according to the strength requirements and optimum size to use the corner block in combination with Tower Sleeve Blocks. The FT100 Corner Blocks have standard FT100 Adapter Block.

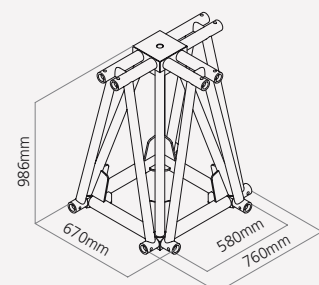
Complementary accessories and the article codes of the FT100 System can be found at the page 160.

One level construction



Measurement Corners for FT100-System

Corner	Size in cm	Attachment	Size in cm
2-Way BLK-FT100	66,5 x 66,5	BLK-A-FT100	FT100 Adapter for Cornerblock
3-Way BLK-FT100	75 x 66,5		
4-Way BLK-FT100	75 x 75		
BLK-FT100	90° in 4 dir.		



TT
XT
FT100
ST
FT50
XD