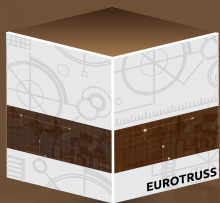


ORN ELECTRIC.



**EUROTRUSS**  
S T A G E D E C K S



Black Hexa anti-slip plywood

# Pro Deck

The Eurotruss Pro Deck is with its weight of only 29 kg (3,05 lbs/sqft.). one of the lightest decks in the industry.

Two longitudinal beams and a special profile design ensures full stability. High quality is confirmed by TÜV certificate which ensures maximum safety. The Eurotruss Pro Deck is a base for stages, fashion show catwalks, tribunes and conference podiums.

All accessories (self-levelling inserts, barrier clamps, stairs clamps or assembly inserts which can be used to hang curtains or advertising banners) are fastened to the section: The platform top is made of waterproof plywood with an anti-slip layer which is standard available in black.

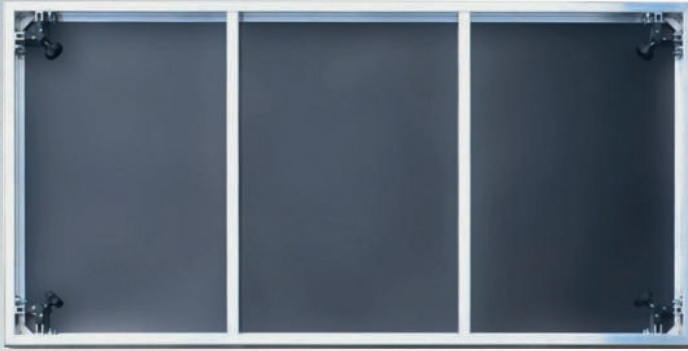
The platforms can be supported by non-adjustable or telescopic legs which make it possible to smoothly and precisely adjust the platform height within 5 different height ranges. Thanks to their structure, the platforms can be installed both, outdoors in different terrains and indoors (inside the buildings, show halls, theatres etc.).

## Facts

- Weighs only 29 kg.
- 750 kg/m<sup>2</sup>
- Equipped with Black Hexa anti-slip Plywood
- Applicable on Scaffolding
- TÜV approved

## Specifications Pro Deck

	<b>Metric</b>	<b>Imperial</b>
Dimensions:	200 x 100 cm. (standard)	8x4 ft.
Profile Height:	90 mm.	3,54 in.
Plywood:	12 mm. (Anti-slip)	0,47 in. (Anti-slip)
Weight:	29 kg. (200 x 100 cm.)	8x4ft (97 lbs)
Material:	EN AW-6082 T6 and Plywood	

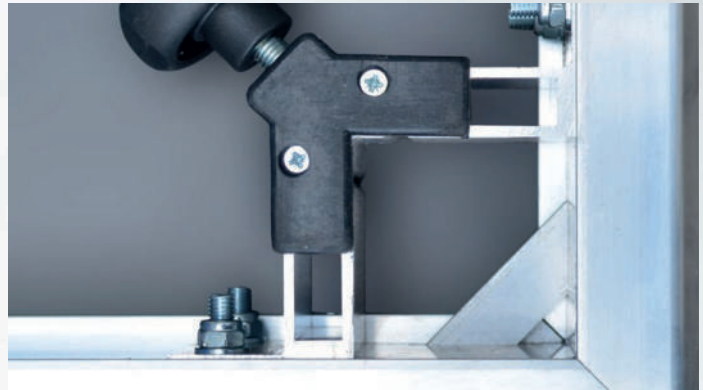


## Full stability design

Two longitudinal beams and a special profile design ensures full stability. High quality is confirmed by TÜV certificate which ensures maximum safety.

## Solid leg connection

The aluminium corner makes a solid leg connection possible, Eurotruss Pro Decks can be supported by non-adjustable or telescopic legs which make it possible to smoothly and precisely adjust the platform height.

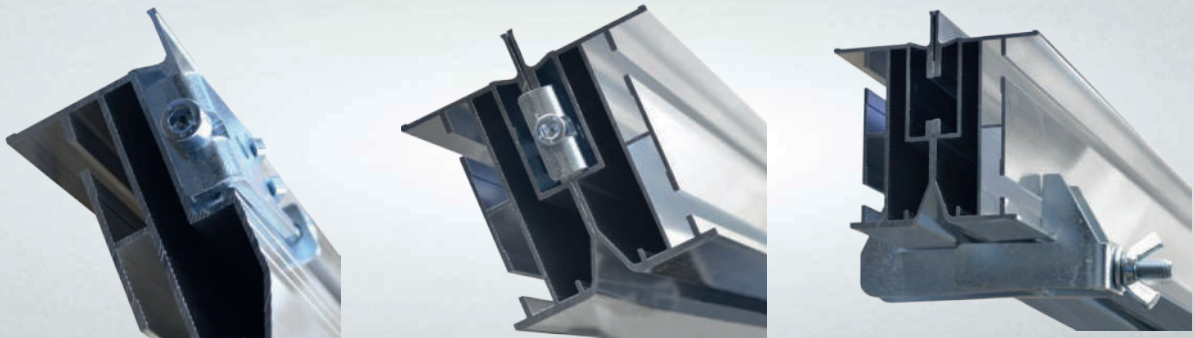


## Special profile

All accessories like self-leveling inserts, barrier clamps, stairs, clamps or assembly inserts which can be used to hang curtains or advertising banners are fastened to the profile section.

## Deck to deck clamping

All accessories like self-leveling inserts, barrier clamps, stairs, clamps or assembly inserts which can be used to hang curtains or advertising banners are fastened to the profile section.





**PRO DECK 200 x 100 cm.**

*productcode: ED-T-SCA03-2x1*



**PRO DECK 100 x 100 cm.**

*productcode: ED-T-SCA03-1x1*



**PRO DECK 200 x 050 cm.**

*productcode: ED-T-SCA03-2x05*



**PRO DECK 100 x 050 cm.**

*productcode: ED-T-SCA03-1x05*

## Imperial Sizing

The Eurotruss Pro Deck is also available in Imperial sizes, this deck is longer and wider than the original Pro Deck. A third longitudinal beam is added to ensure full stability. The Imperial sized Pro Decks make use of 6 legs instead of 4 per deck.

### Pro Deck Imperial Size

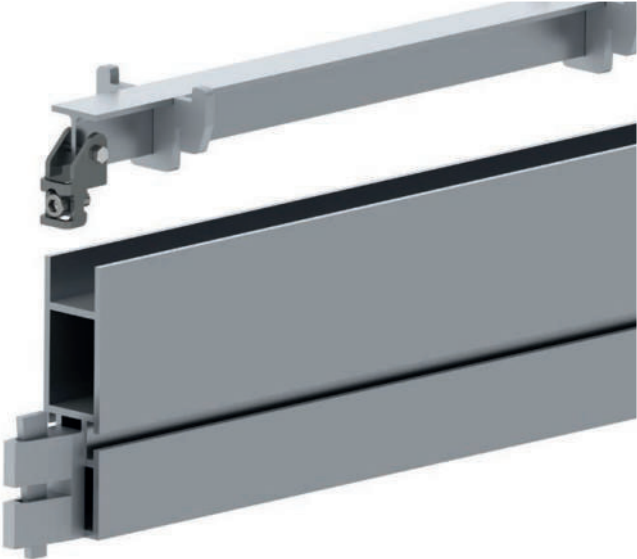
Productcode	Size
<i>ED-T-SCA03-8x4</i>	8ft x 4ft.
<i>ED-T-SCA03-4x4</i>	4ft x 4ft.
<i>ED-T-SCA03-8x2</i>	8ft x 2ft.
<i>ED-T-SCA03-4x2</i>	4ft x 2ft.



# Scaffolding integration

After mounting the SCD-28 beam adapter, the Eurotruss Stage Decks are fully compatible with a Scaffolding Stage System. For holding the platforms on the side of the stage stable use the SCD 29 Platform Limiter.

The standard beam adapter is available in 200cm and 100cm for matching the 200x100cm and 100x100cm decks. Alternative sizes are on request.



Layher Beam Adapter	
Productcode	For layher event beam size
ED-ACC-SCD28	200 cm.
ED-ACC-SCD128	207 cm.
ED-ACC-SCD228	8 ft.
ED-ACC-SCD28A	100 cm.
ED-ACC-SCD128A	103,5 cm.
ED-ACC-SCD228B	4 ft.

Pro Deck Layher	
Productcode	Size
ED-T-SCA03-207X104	207 x 104 cm.
ED-T-SCA03-207X104R	207 x 104 cm. (with recessed corners)
ED-T-SCA03-207X030	207 x 30 cm.
ED-T-SCA03-207X074	†



**Platform Limiter**  
productcode: ED-ACC-SCD29



## Basic Deck

The Eurotruss Basic Deck is with its weight of only 29 kg (3,05 lbs/sqft.). one of the lightest decks in the industry.

Just as the Pro Deck two longitudinal beams and a special profile design ensures full stability. High quality is confirmed by TÜV certificate which ensures maximum safety.

The Eurotruss Basic Deck is a base for fashion shows, catwalks, tribunes and conference podiums.

Black plywood is standard on the Basis Deck, other colors as shown above are available on request.

All accessories (selflevelling inserts, barrier clamps, stairs clamps or assembly inserts which can be used to hang curtains or advertising banners) are fastened to the section: The platform top is made of waterproof plywood with an anti-slip layer which is standard available in black.

The platforms can be supported by non-adjustable or telescopic legs which make it possible to smoothly and precisely adjust the platform height within 5 different height ranges. Thanks to their structure, the platforms can be installed both, outdoors in different terrains and indoors (inside the buildings, show halls, theatres etc.).

### Facts

- Weighs only 29 kg.
- 750 kg/m<sup>2</sup>
- Equipped with basis in black/brown/grey or natural plywood
- TÜV approved

### Specifications Basic Deck

	<b>Metric</b>	<b>Imperial</b>
Dimensions:	200 x 100 cm. (standard)	8x4 ft.
Profile Height:	90 mm.	3,54 in.
Plywood:	12 mm.	0,47 in.
Weight:	29 kg. (200 x 100 cm.)	97 lbs. (8x4ft)
Material:	EN AV-6082 T6 and Plywood	



#### Basic Deck Metric

Productcode	Size
<i>ED-BA-SCA03-2x1</i>	200 x 100 cm.
<i>ED-BA-SCA03-1x1</i>	100 x 100 cm.
<i>ED-BA-SCA03-2x05</i>	200 x 050 cm.
<i>ED-BA-SCA03-1x05</i>	100 x 050 cm.

#### Basic Deck Imperial

Productcode	Size
<i>ED-BA-SCA03-8x4</i>	8 x 4 ft.
<i>ED-BA-SCA03-4x4</i>	4 x 4 ft.
<i>ED-BA-SCA03-8x2</i>	8 x 2 ft.
<i>ED-BA-SCA03-4x2</i>	4 x 2 ft.

## Special Decks

For special events of special decor settings we offer a range of special decks. On request we can deliver the Eurotruss basic deck with a Polycarbonate topping in Black, White or Transparent.

#### Special Decks Metric

Productcode	Size	Topping
<i>ED-P-SCB04-2x1</i>	200 x 100 cm.	Polycarbonate Black
<i>ED-P-SCB04-1x1</i>	100 x 100 cm.	Polycarbonate Black
<i>ED-P-SCW04-2x1</i>	200 x 100 cm.	Polycarbonate White
<i>ED-P-SCW04-1x1</i>	100 x 100 cm.	Polycarbonate White
<i>ED-T-SCA04-2x1</i>	200 x 100 cm.	Transparent
<i>ED-T-SCA04-1x1</i>	100 x 100 cm.	Transparent

#### Special Decks Imperial

Productcode	Size	Topping
<i>ED-P-SCB04-8x4</i>	8 x 4 ft.	Polycarbonate Black
<i>ED-P-SCB04-4x4</i>	4 x 4 ft.	Polycarbonate Black
<i>ED-P-SCW04-8x4</i>	8 x 4 ft.	Polycarbonate White
<i>ED-P-SCW04-4x4</i>	4 x 4 ft.	Polycarbonate White
<i>ED-T-SCA04-8x4</i>	8 x 4 ft.	Transparent
<i>ED-T-SCA04-4x4</i>	4 x 4 ft.	Transparent



## Special Decks

For special events like catwalks or special decor settings we offer a range of special decks with polycarbonate toppings.

On request we can deliver the Eurotruss basic deck with a Polycarbonate topping in Black, White or Transparent. The special decks are based on the very stable and strong Eurotruss Pro Deck.

### Facts

- Weighs only ~29 kg.
- 500 kg/m<sup>2</sup>
- Equipped with
- TÜV approved

### Specifications Basic Deck

	<b>Metric</b>	<b>Imperial</b>
Dimensions:	200 x 100 cm. (standard)	8x4 ft
Profile Height:	90 mm.	3,54 in.
Topping:	Polycarbonate.	Polycarbonate
Weight:	~29 kg. (200 x 100 cm.)	~8x4ft (97 lbs)
Material:	EN AV-6082 T6 and Plywood	





### Special Decks Metric

Productcode	Size	Topping
<i>ED-P-SCB04-2x1</i>	200 x 100 cm.	Polycarbonate Black
<i>ED-P-SCB04-1x1</i>	100 x 100 cm.	Polycarbonate Black
<i>ED-P-SCW04-2x1</i>	200 x 100 cm.	Polycarbonate White
<i>ED-P-SCW04-1x1</i>	100 x 100 cm.	Polycarbonate White
<i>ED-T-SCA04-2x1</i>	200 x 100 cm.	Transparent
<i>ED-T-SCA04-1x1</i>	100 x 100 cm.	Transparent

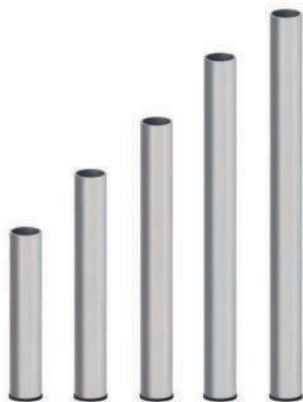
### Special Decks Imperial

Productcode	Size	Topping
<i>ED-P-SCB04-8x4</i>	8 x 4 ft.	Polycarbonate Black
<i>ED-P-SCB04-4x4</i>	4 x 4 ft.	Polycarbonate Black
<i>ED-P-SCW04-8x4</i>	8 x 4 ft.	Polycarbonate White
<i>ED-P-SCW04-4x4</i>	4 x 4 ft.	Polycarbonate White
<i>ED-T-SCA04-8x4</i>	8 x 4 ft.	Transparent
<i>ED-T-SCA04-4x4</i>	4 x 4 ft.	Transparent

# Legs & Legs accessories

## Standard Round Legs

These fixed legs come in various heights.  
The ordered leg height determines the height of the platform.



### Round Legs (Height = deck height)

Productcode	Height Metric	Height Imperial
ED-SLR-02	20 cm.	07.9 in.
ED-SLR-03	30 cm.	11.8 in.
ED-SLR-04	40 cm.	15.7 in.
ED-SLR-05	50 cm.	19.7 in.
ED-SLR-06	60 cm.	23.6 in.
ED-SLR-07	70 cm.	27.5 in.
ED-SLR-08	80 cm.	31.5 in.
ED-SLR-09	90 cm.	35.4 in.
ED-SLR-10	100 cm.	39.4 in.
ED-SLR-11	110 cm.	43.3 in.
ED-SLR-12	120 cm.	47.2 in.

## Round Legs + Adjustable foot

These elements allow construction at different heights.  
Adjustable legs enable seamless height adjustment in small ranges.



### Round Legs + Adjustable foot (Height = deck height)

Productcode	Height Metric	Height Imperial
ED-SLR-ADJ-02	20 cm.	07.9 in.
ED-SLR-ADJ-03	30 cm.	11.8 in.
ED-SLR-ADJ-04	40 cm.	15.7 in.
ED-SLR-ADJ-05	50 cm.	19.7 in.
ED-SLR-ADJ-06	60 cm.	23.6 in.
ED-SLR-ADJ-07	70 cm.	27.5 in.
ED-SLR-ADJ-08	80 cm.	31.5 in.
ED-SLR-ADJ-09	90 cm.	35.4 in.
ED-SLR-ADJ-10	100 cm.	39.4 in.
ED-SLR-ADJ-11	110 cm.	43.3 in.
ED-SLR-ADJ-12	120 cm.	47.2 in.

## Telescopic Legs

Telescopic legs ensures a fluent regulation of the platform height in the defined range.



### Telescopic Legs (Height = deck height)

Productcode	Height Metric	Height Imperial
ED-TLR-45-60	45 ~ 60 cm.	17.7 ~ 23.6 in.
ED-TLR-60-90	60 ~ 90 cm.	23.6 ~ 35.4 in.
ED-TLR-50-100	50 ~ 100 cm.	19.7 ~ 39.4 in.
ED-TLR-90-140	90 ~ 140 cm.	35.4 ~ 55.1 in.
ED-TLR-100-160	100 ~ 160 cm.	39.4 ~ 63.0 in.
ED-TLR-120-190	120 ~ 190 cm.	47.2 ~ 70.8 in.
ED-TLR-150-220	150 ~ 220 cm.	59.0 ~ 86.6 in.

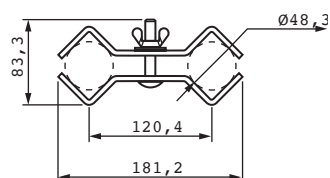
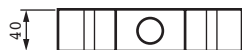
# Round Legs with Castor

Round legs with Castors are special designed to use the Eurotruss Stage Deck for example as a drum riser or movable platform.



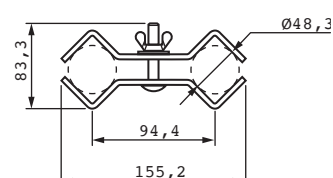
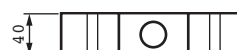
## Round Leg with Castor (Height = deck height)

Productcode	Height Metric	Height Imperial
ED-SLC-03	30 cm.	11.8 in.
ED-SLC-04	40 cm.	15.7 in.
ED-SLC-03B	30 cm. + brake	11.8 in. + brake
ED-SLC-04B	40 cm. + brake	15.7 in. + brake



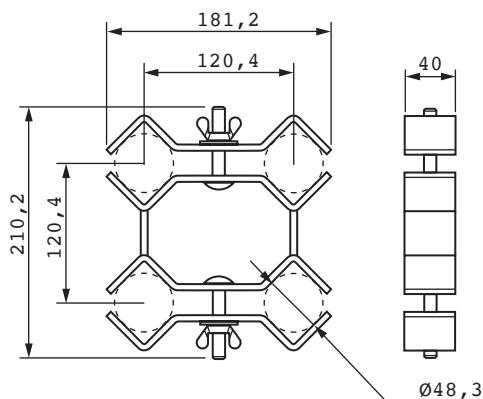
**LEG TO LEG CLAMP - SINGLE**

productcode: ED-ACC-LTLR-S



**LEG TO LEG CLAMP - OVERLAP**

productcode: ED-ACC-LTLR-S1



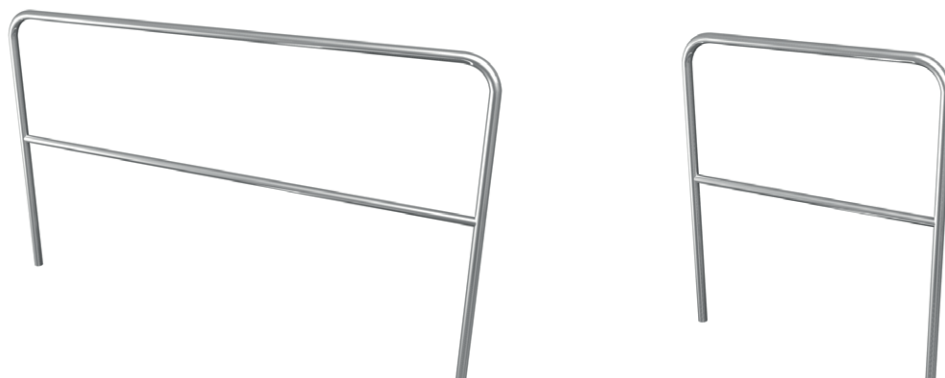
**LEG TO LEG CLAMP - DOUBLE**

productcode: ED-ACC-LTLR-D

# Safety Railings

## Standard Handrailing

Aluminum handrails can be used with Deck 200x100cm, they are very durable and at the same time very light. The additional bar is a protection against sliding for example flight cases.



### Standard Handrailing

Productcode	Length	Height
ED-SHR-SBA-5	200 cm.	120 cm.
ED-SHR-SBA-6	100 cm.	120 cm.
ED-SHR-SBA-15	8 ft.	4 ft.
ED-SHR-SBA-16	4 ft.	4 ft.

*\*All handrailings are delivered with connectors for deck connection*

## Heavy Duty Handrailing

The Heavy Dut handrailings can be used with Deck 200x100cm, they are very durable and very safe. The vertical bars make the Heavy Duty handrailing childsafe.



### Heavy Duty Handrailing

Productcode	Length	Height
ED-SHR-SBA-5R	200 cm.	120 cm.
ED-SHR-SBA-6R	100 cm.	120 cm.
ED-SHR-SBA-15R	8 ft.	4 ft.
ED-SHR-SBA-16R	4 ft.	4 ft.

*\*All handrailings are delivered with connectors for deck connection*

## Standard Handrailing with Plexiglas

Aluminum handrails can be used with Deck 200x100cm, they are very durable and at the same time very light. The additional bar is a protection against sliding for example flight cases.



### Standard Handrailing with Plexiglas

Productcode	Length	Height
ED-SHR-SBP-5	200 cm.	120 cm.
ED-SHR-SBP-6	100 cm.	120 cm.
ED-SHR-SBP-15	8 ft.	4 ft.
ED-SHR-SBP-16	4 ft.	4 ft.

*\*All handrailings are delivered with connectors for deck connection*

## Handrailing For Stairways

These handrailings carry a special shape to fit on the side of a stairway, they are very durable and safe. Combined with stairs you create a safe stairway to enter the platform.



### Handrailing For Stairways

Productcode	Length	Height	For use with
ED-SHR-SBA-S	228 cm.	75 cm.	Stairs Adjustable
ED-SHR-SBA-S1	141 cm.	165 cm.	Stairs Fixed 3 steps
ED-SHR-SBA-S2	228 cm.	204 cm.	Stairs Fixed 4-5 steps

# Stairs

## Stairs Fixed

Modular stairs with all steps of the same height; available in four different heights. The stairs have adjustable feet which make it possible to place and level the stairs on uneven surfaces. The material of the construction is welded from steel profiles, the steps are made of 15mm plywood and have adjustable feet with an adjustment-range of 20mm.



\* Stairs are standard delivered without the safety railing



**STAIRS 1st PART HEIGHT 20+40 CM.**

productcode: EDS-SM-04



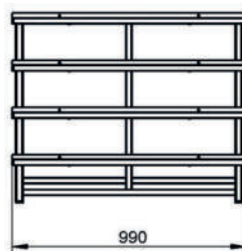
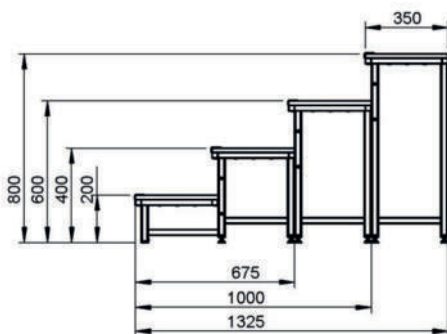
**STAIRS 3rd PART HEIGHT 60 CM.**

productcode: EDS-SM-06



**STAIRS 4th PART HEIGHT 80 CM.**

productcode: EDS-SM-08



**HAND RAILING ASSEMBLY CLAMP**

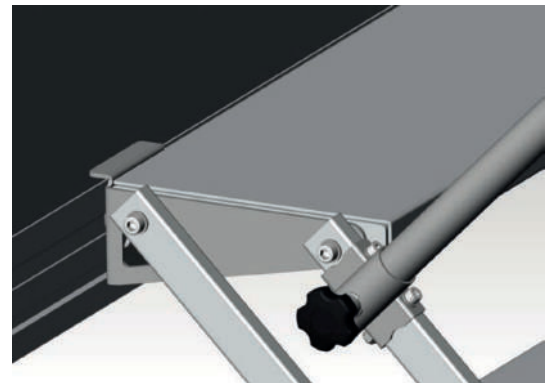
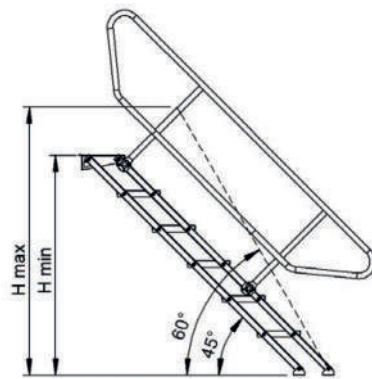
productcode: ED-ACC-SCD11

## Stairs Adjustable

Adjustable stairs ensure quick and smooth assembly. They are made of heavy-duty steel sections and the stairs steps are filled with anti-slip plywood. The staircase is self angled because of the movable steps mounted in the frame.



\* Stairs are standard delivered without the safety railing



Attachment to the deck

### Stairs Adjustable Metric

Productcode	Height	Length
ED-AS-SPS-04	40 ~ 60 cm.	1.715 mm.
ED-AS-SPS-06	60 ~ 100 cm.	2.025 mm.
ED-AS-SPS-08	80 ~ 140 cm.	2.335 mm.
ED-AS-SPS-10	100 ~ 180 cm.	2.645 mm.

### Stairs Adjustable Imperial

Productcode	Height	Length
ED-AS-SPS-041	16 ~ 24 inches	67.5 in.
ED-AS-SPS-060	24 ~ 40 inches	79.7 in.
ED-AS-SPS-081	32 ~ 48 inches	91.9 in.
ED-AS-SPS-101	40 ~ 72 inches	104.1 in.

# Accessories

## Deck to Deck clamp



The Deck to Deck clamp is used to connect the deck profile to each other. The deck to deck clamps ensure a safe and stable stage construction.

### Deck to Deck clamp

Productcode	Material
ED-ACC-SCD01	Galvanized steel

## Deck to Deck clamping clamp



The Deck to Deck clamping clamp can be used to connect the deck profiles to each other in very low stage constructions. These clamps are inserted into the profile and pull them together. Fasten with an Allen Key.

### Deck to Deck clamping clamp

Productcode	Material
ED-ACC-SCD24	Galvanized steel

## Self leveling insert



To level the Decks on an even line you can use the self leveling insert which levels the decks on one line. Three self leveling inserts per deck are used for the best result.

### Self leveling insert

Productcode	Material
ED-ACC-SCD03	Hard PVC

## Assembly insert



When you want to attach decor or other objects to the stage decks you can use the assembly insert, slide this insert in the profile and connect your object or decor to the stage deck with a M8 bolt.

### Assembly insert

Productcode	Material
ED-ACC-SCD03	Galvanized steel

## Hand railing link



The hand railing link connects the hand railing / barriers together to create a solid railing.

### Hand railing link

Productcode	Material
ED-ACC-SCD18	Galvanized steel & PVC



# Trolleys

Raw Steel Trolleys to be used for transport purpose of Eurotruss Decks and / or Handrailings. Trolleys can be used for every type and size.

## Trolley for deck



### Trolley for deck

Productcode	Dimensions
<i>ED-TROL-ED</i>	230x102x96 cm. / 90,5x40,2x37,8 in.

## Trolley for hand-railing



### Trolley for hand-railing

Productcode	Dimensions
<i>ED-TROL-HR</i>	230x102x151 cm. / 90,5x40,2x59,4 in.

**FLASHLIGHT EVENT- UND MEDIATECHNIK AG**

Pumpwerkstrasse 32  
CH-8105 Regensdorf

Tel. +41 (0) 44 843 44 44  
sales@flashlight.ch

[www.eurotruss.ch](http://www.eurotruss.ch)

**LICHT | AUDIO | VIDEO | MULTIMEDIA | LED | BÜHNEN**